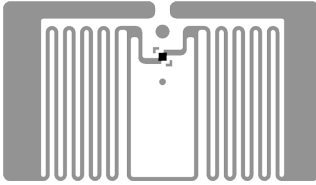




## “PEARL” JEWELRY/COSMETICS INLAY

The Alien Technology® ALN-9716 “Pearl” RFID inlay is designed for use in jewelry and cosmetic applications where the tag may be in close proximity to small metal or metallic coated objects



### Applications

- Jewelry tagging
- Use with small metallic objects
- Cosmetics

FEATURE	DESCRIPTION	BENEFIT
Small form factor, non-near field read tag	Despite its diminutive size (22 x 12.5mm), this tag uses conventional long range UHF antenna unlike many other competitive tag solutions.	Offers read/write distances in the order of feet/meters unlike other competitive tags that are near-field and only read an inch or two.
Tuned for metal and cosmetics	Designed to be in close proximity to metal or metallic surfaces.	Uses the metal surfaces to “amplify” the read/write distance of the tag.
Next generation Higgs™ 4 features and performance	A mass-market optimized tag with class leading read and write performance. Supports Aliens <i>BlastWrite™</i> and <i>QuickWrite™</i> mass-encoding	Rapid programming of serialized tags and excellent read/write performance

### Features:

- › Designed to meet EPCglobal Gen2 (V1.2.0) and ISO/IEC 18000-6C
- › Worldwide operation in the RFID UHF bands (860-960 MHz)
- › 448-Bits of NVRAM Memory
  - 128-EPC Bits
  - 128 User Bits
  - 64 Bit Unique TID
  - 32 Bit Access and 32 bit Kill Passwords
- › User Memory can be Block Perma-Locked as well as read password protected in 32 Bit Blocks
- › Class leading read and write performance
- › *BlastWrite™* and *QuickWrite™* mass-encoding
- › Dynamic Authentication™ - anti-cloning/anti-counterfeit technology
- › Available in high-yield, high capacity dry/wet inlay rolls

### Product Overview:

Powered by Alien®’s break-through **Higgs™ -4 UHF RFID IC** and **innovative “Pearl” antenna design**, the ALN-9716 delivers industry leading EPC Gen 2 performance and reliability for retail jewelry and cosmetics especially when tagging in compact and highly dense areas.

With its Higgs™-4 core, the Pearl delivers next generation read and write performance, yet is completely **optimized for the highest volume enterprise and retail applications.**

An optimized memory footprint includes a 32-bit TID, a **64-bit Unique TID for authentication** and **next generation serialization** applications, a 128-bit EPC memory bank, 128-bits of user memory for distributed data applications, and **password protected read and write** support capabilities to prevent unauthorized viewing and modification of the tag’s data.

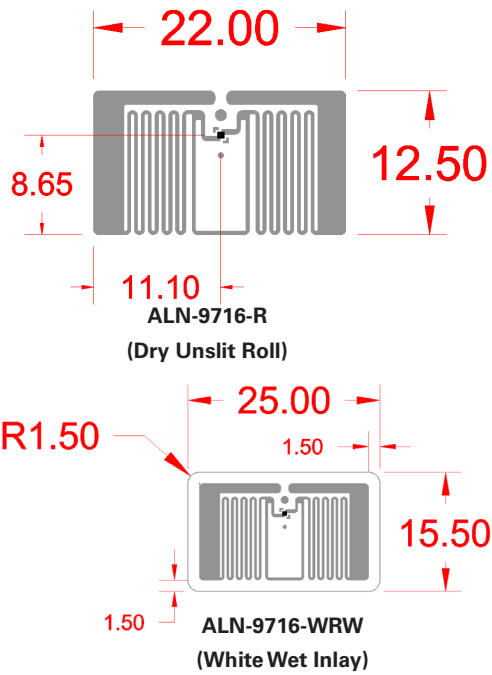
ALN-9716 inlays are World Tag compliant, enabling consistent operation across the diverse frequencies of the Americas, Europe, Middle East, Asia, and Africa.



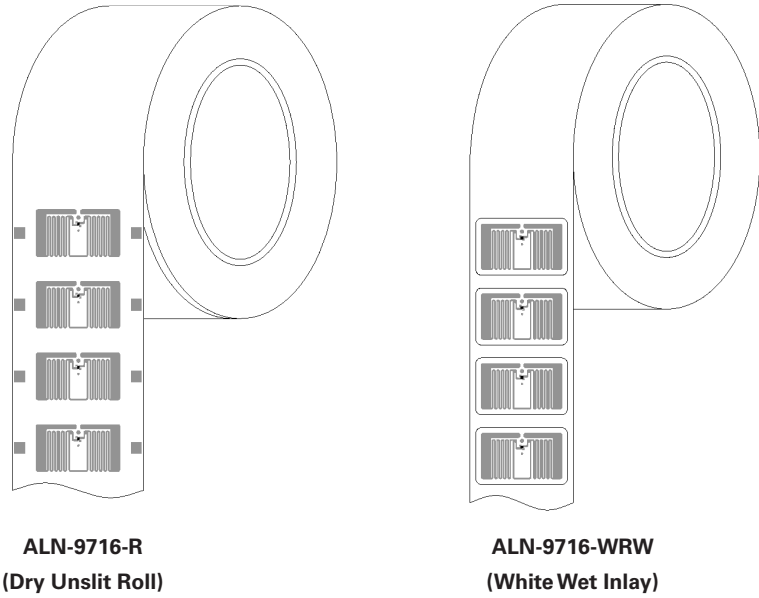
# ALN-9716 Pearl Inlay

All dimensions in millimeters unless specified otherwise

## ALN-9716 Antenna Size

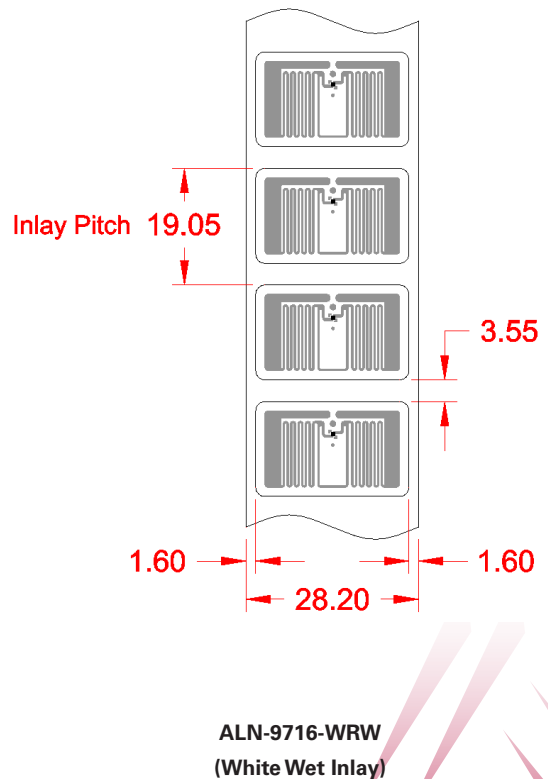
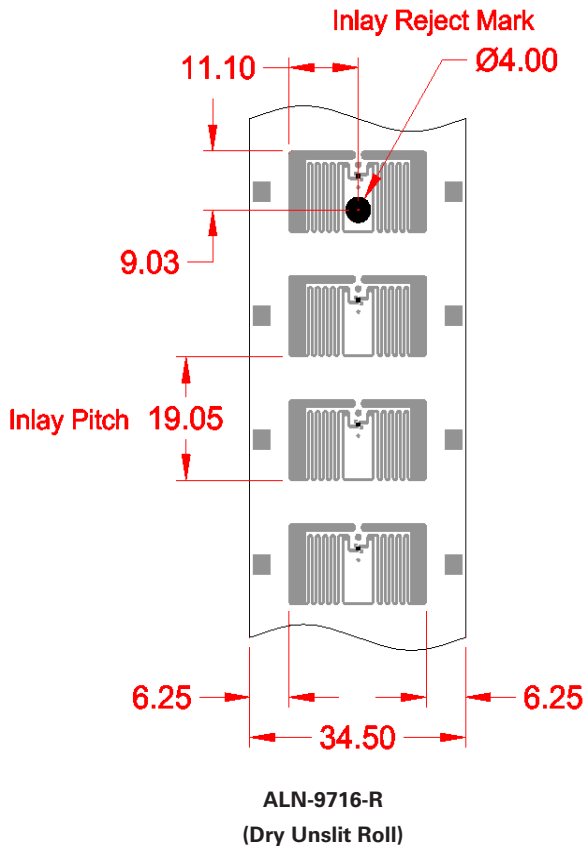


## ALN-9716 Inlay Orientation



Standard Alien Inlay rolls unwind with metal antenna side facing outward, with respect to the core.

## ALN-9716 Inlay Specification



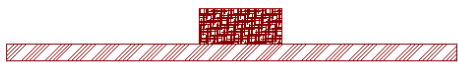


ALN-9716 Inlay Stackup

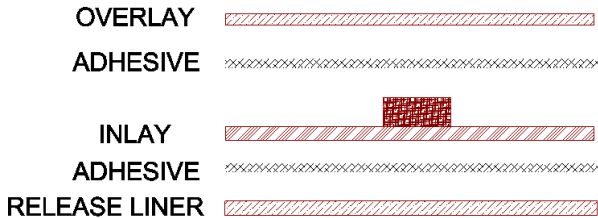
DRY INLAY THICKNESS, ±10%	
OVER ANTENNA	0.05 mm
OVER CHIP	0.25 mm

WHITE WET INLAY THICKNESS, ±10%	
OVER ANTENNA	0.16 mm
OVER CHIP	0.36 mm

INLAY

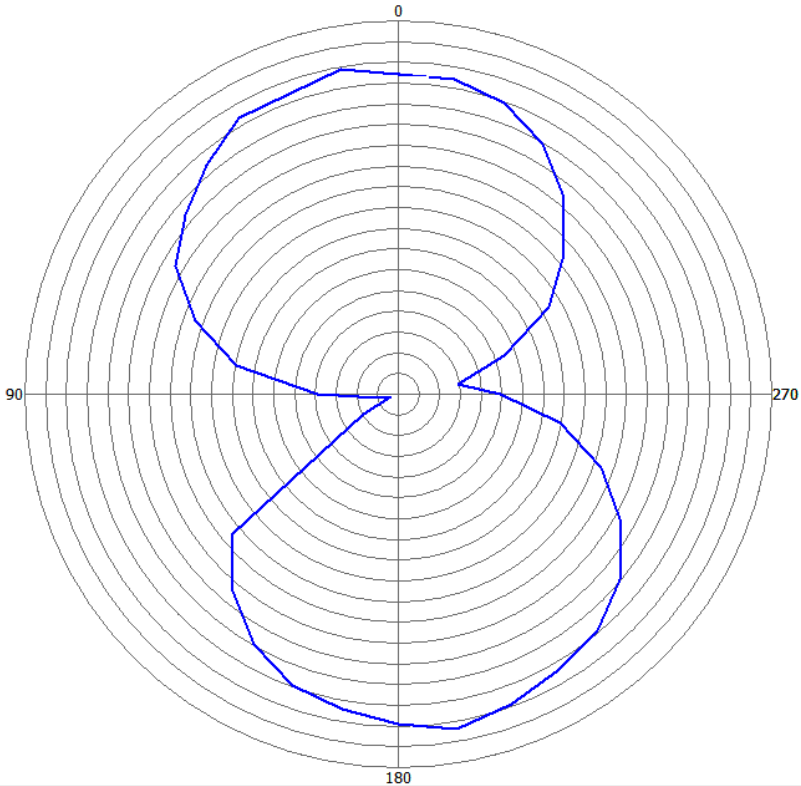


ALN-9716-R  
(Dry Unslit Inlay)

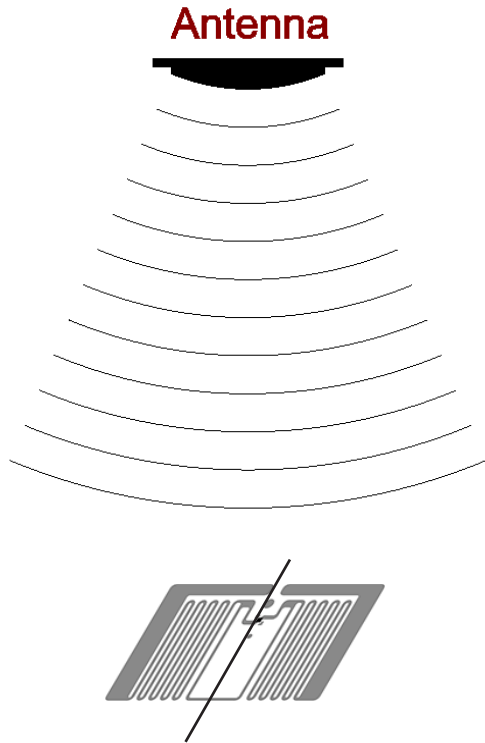


ALN-9716-WRW  
(White Wet Inlay)

ALN-9716 Inlay Angular Sensitivity



Angular Sensitivity  
(Relative Read Range vs. Orientation)



Angular Sensitivity  
Inlay is rotated in the x, y, plane about the z axis



## ALN-9716 Pearl Inlay

### ALN-9716 Specifications

#### Dry Inlay

Antenna Width	0.866" [22mm]
Antenna Length	0.492" [12.5mm]
Web Width	1.358" [34.5mm]
Web Pitch	0.750" [19.05mm]
Core Width	1.358" [34.5mm]
Core ID	6" [152.4mm]*
Core Material	Fiberboard
Inlays per Roll	15,000 Nominal
Maximum Roll OD	< 12" [304.8mm]
Roll Labeling Data	Roll #, Quantity

#### Wet Inlay

Inlay Width	0.984" [25mm]
Inlay Length	0.610" [15.5mm]
Web Width	1.110" [28.2mm]
Web Pitch	0.750" [19.05mm]
Core Width	1.110" [28.2mm]
Core ID	6" [152.4mm]*
Core Material	Fiberboard
Inlays per Roll	15,000 Nominal
Maximum Roll OD	< 16" [406.4mm]
Roll Labeling Data	Roll #, Quantity
White	TT Printable White Film Only
Overlay Adhesive	General Purpose Permanent
Inlay Adhesive	General Purpose Permanent
Adhesive Application Temperature	> +25°F [-4°C]
Adhesive Service Temperature	-40°F to +200°F [-40°C to +93.3°C]
Release Liner	40# SCK

#### Environmental

Shelf Life	Dry Inlays: 5 years at +77°F [+25°C] @ 40% RH Wet Inlays: 2 years at +77°F [+25°C] @ 40% RH
Recommended Storage	+77°F [+25°C] @ 40% RH
Dry Inlay Operating and Storage Limits	-40°F to +158°F [-40°C to +70°C] 20% to 90% RH Non-condensing
Wet Inlay Operating and Storage Limits	-13°F to 122°F [-25°C to +50°C] 20% to 90% RH Non-condensing
Bend Diameter	> 1.97" [50mm]
Pressure	< 5N/mm <sup>2</sup>
Drop Resistance	Per ASTM D5276
Write Cycles	100,000 @ 25°C
RoHs	2002/95/EC, 2005/618/EC, 2011/65/EU Compliant
REACH	1907/2006/EC Compliant (SVHC and ECHA)
ESD Limit- HBM / CDM	5.0kV / 1.5kV

#### RFID

Protocols Supported	ISO/IEC 18000-6C EPCglobal Class 1 Gen 2
Integrated Circuit	Alien Higgs™-4
Operating Frequency	840-960 MHz
EPC Size	128 Bits
User Memory	128 Bits
TID	32 Bits
Unique TID	64 Bits
Access Password	32 Bits
Kill Password	32 Bits

\* Shipped with 6" to 3" plastic core adapter

February 8, 2017

Copyright© 2017 Alien Technology LLC. All rights reserved.

Alien, Alien Technology, the Alien Technology logo, Pearl, Spider, Higgs, Dynamic Authentication, QuickWrite, BlockWrite, Squiggle, and the Squiggle logo are trademarks or registered trademarks of Alien Technology Corporation in the U.S. and other countries.

HANDLING PRECAUTIONS Observe standard handling practices to minimize ESD.

DISCLAIMER Application recommendations are guidelines only - actual results may vary and should be confirmed. This is a general purpose product not designed or intended for any specific application.

This product is covered by one or more of the following U.S. patents: 7967204, 7931063, 7868766, 7737825, 7716208, 7716160, 7688206, 7659822, 7619531, 7615479, 7598867, 7580378, 7576656, 7562083, 7561221, 7559486, 7559131, 7554451, 7551141, 7542301, 7542008, 7531218, 7522055, 7500610, 7489248, 7453705, 7425467, 7417306, 7411503, 7385284, 7377445, 7364084, 7353598, 7342490, 7324061, 7321159, 7301458, 7295114, 7288432, 7265675, 7262686, 7260882, 7253735, 7244326, 7218527, 7214569, 7199527, 7193504, 7173528, 7172910, 7172789, 7141176, 7113250, 7101502, 7080444, 7070851, 7068224, 7046328, 6998644, 6988667, 6985361, 6980184, 6970219, 6952157, 6942155, 6933848, 6927085, 6816380, 6780696, 6731353, 6693384, 6683663, 6665044, 6657289, 6623599, 6606247, 6606079, 6590386, 6586338, 6566744, 6555408, 6527964, 6479395, 6468638, 6420266, 6316278, 6291896, 6281038. Other patents pending.

This product is licensed under patents of Round Rock Research, LLC, for use solely with UHF RFID Readers (such as Alien reader products) that are licensed under an agreement with Round Rock Research, LLC.



Alien Technology  
845 Embedded Way  
San Jose, CA 95138-1030  
866-RFID NOW  
www.alientechnology.com